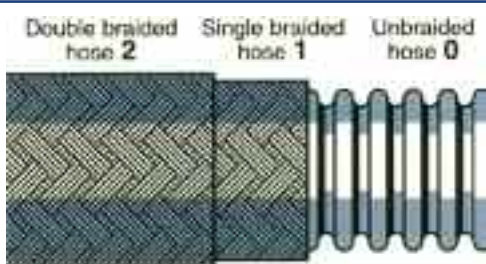




## Description

- An ISO 10380 Specification low to high pressure hose. Manufactured to BS6501 Part 1 2004.
- Designed to meet the requirements of ISO 10380 flexibility classes.
- Most of the range can be supplied on drums for easy handling and where continuous lengths are needed.
- Will convey all manner of liquids and gases.
- High physical strength.
- Long life.
- Good corrosion characteristics.
- Suitable for elevated temperatures up to 600°C and in cryogenic applications down to -200°C.



## Manufacture

Amnitec manufactures various specification tube, namely : UFBX and UFC (Others available)

## Material

The main material used in the manufacture is :

### Tube

BSEN10088-2:2005	1.4541 (321S31)
BSEN10088-2:2005	1.4404 (316S11)

### Braid

BSEN10088-3:2005	1.4301 (304S31)
BSEN10088-3:2005	1.4401 (316S31)



## Application

### UFBX

- Flexibility Class Type 1.
- Medium pressure hose.
- Occasional Flexing – Where the hose is required to flex only occasionally such as manual handling.
- Constant Flexing – When the hose is required to flex continuously, usually on moving machinery.
- Vibration – High frequency, low amplitude movement, e.g. on a compressor or pump.

### Super Flexible High Pressure Hose (UFC)

- Flexibility Class Type 1.
- High pressure hose.
- Occasional Flexing – Where the hose is required to flex only occasionally such as manual handling.
- Constant Flexing – When the hose is required to flex continuously, usually on moving machinery.
- Vibration – High frequency, low amplitude movement, e.g. on a compressor or pump.

We also have Ultra High Pressure and high nickel content hoses available – Please refer to brochure details.

# Medium Pressure Hose



- Hose manufactured in 321 stainless steel
- Braid manufactured in 304 and 316 stainless steel
- Directly braided on reels - Up to 80mm (3")
- UFBX0 = Unbraided Hose UFBX1 = Single Braid layer UFBX2 = Double Braid Layer

Nominal Bore mm / in	Hose Type	Hose O/D mm	Min Bend Radius		Maximum Pressure				Weight Kg / m
			Static mm	Dynamic mm	Working		Test		
					Bar	PSI	Bar	PSI	
6 / 1/4"	UFBX0	10	16	110	10	145	15	218	0.09
	UFBX1	11.4	25		167	2422	251	3633	0.17
	UFBX2	12.8			220	3191	330	4786	0.25
8 / 5/16"	UFBX0	12	20	130	10	145	15	218	0.13
	UFBX1	13.4	32		136	1973	204	2959	0.23
	UFBX2	14.7			210	3046	315	4569	0.33
10 / 3/8"	UFBX0	14.9	22	150	5.5	80	8	120	0.17
	UFBX1	16.3	38		100	1450	150	2176	0.28
	UFBX2	17.6			178	2582	267	3873	0.39
12 / 1/2"	UFBX0	19.3	24	165	5.5	80	8	120	0.17
	UFBX1	20.7	45		74	1073	111	1610	0.36
	UFBX2	22.4			103	1494	155	2241	0.53
15 / 5/8"	UFBX0	22	28	195	5	73	8	109	0.28
	UFBX1	23.3	50		70	1015	105	1523	0.45
	UFBX2	24.6			125	1813	188	2719	0.62
20 / 3/4"	UFBX0	25.8	30	200	4.1	59	6	89	0.30
	UFBX1	27.4	70		65	943	98	1414	0.55
	UFBX2	29			86	1247	129	1871	0.80
25 / 1"	UFBX0	33.7	44	200	4.1	59	6	89	0.32
	UFBX1	35.8	85		50	725	75	1088	0.70
	UFBX2	37.9			76	1102	114	1653	1.08
32 / 1 1/4"	UFBX0	41.1	55	250	3.4	49	5	74	0.40
	UFBX1	43.2	105		39	566	59	848	0.86
	UFBX2	45.3			57	827	86	1240	1.32
40 / 1 1/2"	UFBX0	47.9	70	250	2.4	35	4	52	0.67
	UFBX1	50	127		35	508	53	761	1.18
	UFBX2	52.2			55	798	83	1197	1.69
50 / 2"	UFBX0	62.1	90	350	1	15	2	22	0.82
	UFBX1	64.2	160		30	435	45	653	1.52
	UFBX2	66.3			44	638	66	957	2.22
65 / 2 1/2"	UFBX0	76.5	110	410	1	15	2	22	1.90
	UFBX1	78.6	200		26	377	39	566	2.80
	UFBX2	80.7			46	667	69	1001	3.70
80 / 3"	UFBX0	89.8	130	450	1	15	2	22	2.30
	UFBX1	91.9	230		22	319	33	479	3.40
	UFBX2	94.1			40	580	60	870	4.50
100 / 4"	UFBX0	127	200	560	0.69	10	1	15	3.00
	UFBX1	129	230		21.5	312	32	468	4.90
	UFBX2	132			34	490	51	735	6.80
125 / 5"	UFBX0	149	343	711	0.21	3	0.3	4	3.38
	UFBX1	151	343		11.5	167	17	250	5.28
	UFBX2	154			20.7	300	31	450	7.18
150 / 6"	UFBX0	178	406	864	0.21	3	0.3	4	5.26
	UFBX1	180	406		11.2	162	17	243	7.46
	UFBX2	183			20	290	30	435	9.66
200 / 8"	UFBX0	230	508	1067	0.14	2	0.21	3	6.84
	UFBX1	233	508		7	102	11	153	9.54
	UFBX2	235			10	145	15	218	12.54
250 / 10"	UFBX0	284	864	1753	0.14	2	0.21	3	8.84
	UFBX1	289	864		9.6	140	14	210	14.34
	UFBX2	294			17.3	250	26	375	19.84
300 / 12"	UFBX0	337	940	1880	0.14	2	0.21	3	10.55
	UFBX1	339	940		12.07	175	18	260	20.29
	UFBX2	343			21.7	315	32	470	30.04

UFBX - 321



# Medium Pressure Hose

- Hose manufactured in 316 stainless steel
- Braid manufactured in 304 and 316 stainless steel
- Directly braided on reels - Up to 80mm (3")
- UFBX0 = Unbraided Hose UFBX1 = Single Braid layer UFBX2 = Double Braid Layer

UFBX - 316

Nominal Bore	Hose Type	Hose O/D	Min Bend Radius		Maximum Pressure				Weight
			Static	Dynamic	Working		Test		
			mm	mm	Bar	PSI	Bar	PSI	
6 / ¼"	UFBX0	10	16	110	10	145	15	218	0.09
	UFBX1	11.4	25		167	2422	251	3633	0.17
	UFBX2	12.8	25		220	3191	330	4786	0.25
8 / ⅝"	UFBX0	12	20	130	10	145	15	218	0.13
	UFBX1	13.4	32		136	1973	204	2959	0.23
	UFBX2	14.7	32		210	3046	315	4569	0.33
10 / ¾"	UFBX0	14.9	22	150	5.5	80	8	120	0.17
	UFBX1	16.3	38		100	1450	150	2176	0.28
	UFBX2	17.6	38		178	2582	267	3873	0.39
12 / ½"	UFBX0	19.3	24	165	5.5	80	8	120	0.24
	UFBX1	20.7	45		74	1073	111	1610	0.43
	UFBX2	22.4	45		103	1494	155	2241	0.60
15 / ⅝"	UFBX0	22	28	195	5	73	8	109	0.28
	UFBX1	23.3	50		70	1015	105	1523	0.45
	UFBX2	24.6	50		125	1813	188	2719	0.62
20 / ¾"	UFBX0	25.8	30	200	4.1	59	6	89	0.37
	UFBX1	27.4	70		65	943	98	1414	0.62
	UFBX2	29	70		86	1247	129	1871	0.87
25 / 1"	UFBX0	33.7	44	200	4.1	59	6	89	0.50
	UFBX1	35.8	85		50	725	75	1088	0.88
	UFBX2	37.9	85		76	1102	114	1653	1.30
32 / 1 ¼"	UFBX0	41.1	55	250	3.4	49	5	74	0.64
	UFBX1	43.2	105		39	566	59	848	1.10
	UFBX2	45.3	105		57	827	86	1240	1.60
40 / 1 ½"	UFBX0	47.9	70	250	2.4	35	4	52	0.89
	UFBX1	50	127		35	508	53	761	1.40
	UFBX2	52.2	127		55	798	83	1197	1.90
50 / 2"	UFBX0	62.1	90	350	1	15	2	22	1.20
	UFBX1	64.2	160		30	435	45	653	1.90
	UFBX2	66.3	160		44	638	66	957	2.70
65 / 2 ½"	UFBX0	76.5	110	410	1	15	2	22	1.90
	UFBX1	78.6	200		26	377	39	566	2.80
	UFBX2	80.7	200		46	667	69	1001	3.70
80 / 3"	UFBX0	89.8	130	450	1	15	2	22	2.30
	UFBX1	91.9	230		22	319	33	479	3.40
	UFBX2	94.1	230		40	580	60	870	4.50
100 / 4"	UFBX0	127	200	560	0.69	10	1	15	3.00
	UFBX1	129	230		21.5	312	32	468	4.90
	UFBX2	132	230		34	490	51	735	6.80
125 / 5"	UFBX0	149	343	711	0.21	3	0.3	4	4.00
	UFBX1	151	343		11.5	167	17	250	5.90
	UFBX2	154	343		20.7	300	31	450	7.80
150 / 6"	UFBX0	178	406	864	0.21	3	0.3	4	6.62
	UFBX1	180	406		11.2	162	17	243	8.82
	UFBX2	183	406		20	290	30	435	11.02
200 / 8"	UFBX0	230	508	1067	0.14	2	0.21	3	8.50
	UFBX1	233	508		7	102	11	153	11.19
	UFBX2	235	508		10	145	15	218	14.20
250 / 10"	UFBX0	284	864	1753	0.14	2	0.21	3	8.84
	UFBX1	289	864		9.6	140	14	210	14.34
	UFBX2	294	864		17.3	250	26	375	20.20
300 / 12"	UFBX0	337	940	1880	0.14	2	0.21	3	10.55
	UFBX1	339	940		12.07	175	18	260	20.29
	UFBX2	343	940		21.7	315	32	470	30.04

# Super Flexible High Pressure Hose



- Hose manufactured in 321 stainless steel (High flexibility)
- Braid manufactured in 304 and 316 stainless steel
- UFC0 = Unbraided Hose   UFC1 = Single Braid layer   UFC2 = Double Braid Layer

Nominal Bore mm / in	Hose Type	Hose O/D mm	Min Bend Radius		Maximum Pressure				Weight Kg / m
			Static mm	Dynamic mm	Working		Test		
					Bar	PSI	Bar	PSI	
6 / 1/4"	UFC0	13.0	16	100	10	145	15	218	0.20
	UFC1	14.5	25		171	2480	257	3720	0.31
	UFC2	15.9			305	4424	458	6635	0.42
10 / 3/8"	UFC0	17.8	22	150	5.5	80	8.3	120	0.29
	UFC1	19.3	40		151	2190	227	3285	0.48
	UFC2	20.7			260	3771	390	5656	0.67
12 / 1/2"	UFC0	21.8	24	150	5.5	80	8.3	120	0.35
	UFC1	23.3	50		114	1653	171	2480	0.58
	UFC2	24.7			205	2973	308	4460	0.81
20 / 3/4"	UFC0	28.0	30	200	4.1	59	6.2	89	0.48
	UFC1	30.2	70		90.8	1317	136.2	1975	0.86
	UFC2	32.3			150	2176	225	3263	1.24
25 / 1"	UFC0	35.0	44	200	4.1	59	6.2	89	0.64
	UFC1	37.2	90		79.4	1152	119	1727	1.13
	UFC2	39.3			120	1740	180	2611	1.62
32 / 1 1/4"	UFC0	46.5	55	250	3.2	46	4.8	70	1.10
	UFC1	48.6	108		59.0	856	89	1284	1.76
	UFC2	50.7			89.0	1291	134	1936	2.42
40 / 1 1/2"	UFC0	54.5	70	250	2.4	35	3.6	52	1.25
	UFC1	56.7	127		46.0	667	69	1001	1.99
	UFC2	58.8			71.0	1030	107	1545	2.73
50 / 2"	UFC0	65.7	90	350	1.0	15	1.5	22	1.37
	UFC1	68.4	175		40.2	583	60.3	875	2.36
	UFC2	70.9			50.0	725	75	1088	3.35
65 / 2 1/2"	UFC0	85.5	110	410	1.0	15	1.5	22	2.00
	UFC1	88.2	200		33.5	486	50.3	729	3.30
	UFC2	90.7			50.0	725	75	1088	4.60
80 / 3"	UFC0	97.7	130	450	1.0	15	1.5	22	2.50
	UFC1	100	200		28.1	408	42.2	611	4.00
	UFC2	103			50.0	725	75	1088	5.50
100 / 4"	UFC0	127	200	560	0.70	10	1.1	15	3.00
	UFC1	129	230		21.5	312	32.3	468	4.90
	UFC2	132			34	493	51	740	6.80
125 / 5"	UFC0	151	279	711	0.19	3	0.3	4	4.77
	UFC1	153	279		14.5	210	21.8	315	6.67
	UFC2	156			26.0	377	39	566	8.57
150 / 6"	UFC0	178	419	838	0.24	4	0.4	5	6.65
	UFC1	180	419		16.55	240	24.8	360	9.35
	UFC2	183			19.7	285	29.5	428	12.05
200 / 8"	UFC0	230	546	1092	0.2	3	0.3	4	8.72
	UFC1	232	546		15	217	22.5	326	14.00
	UFC2	234			18.6	270	27.9	405	19.27
250 / 10"	UFC0	284	686	1372	0.15	2	0.2	3	13.66
	UFC1	289	686		14.5	210	21.8	315	20.17
	UFC2	294			25.9	375	38.79	563	26.69
300 / 12"	UFC0	337	813	1626	0.12	2	0.2	3	16.29
	UFC1	343	813		13.8	200	20.7	300	25.24
	UFC2	349			24.8	360	37.2	540	34.20

UFC - 321

# Super Flexible High Pressure Hose

www.flexiducting.co.uk



- Hose manufactured in 316 stainless steel (High flexibility)
- Braid manufactured in 304 and 316 stainless steel
- UFC0 = Unbraided Hose   UFC1 = Single Braid layer   UFC2 = Double Braid Layer

**UFC - 316**

Nominal Bore	Hose Type	Hose O/D	Min Bend Radius		Maximum Pressure				Weight	
			Static	Dynamic	Working		Test			
					Bar	PSI	Bar	PSI		
mm / in		mm	mm	mm	mm	Bar	PSI	Bar	PSI	Kg / m
6 / ¼"	UFC0	13.0	16	110	10	145	15	218	0.20	
	UFC1	14.5	25		171	2480	257	3720	0.31	
	UFC2	15.9			305	4424	458	6635	0.42	
10 / ⅜"	UFC0	17.8	22	150	5.5	80	8.3	120	0.29	
	UFC1	19.3	40		151	2190	227	3285	0.48	
	UFC2	20.7			260	3771	390	5656	0.67	
12 / ½"	UFC0	21.8	24	150	5.5	80	8.3	120	0.35	
	UFC1	23.3	50		114	1653	171	2480	0.58	
	UFC2	24.7			205	2973	308	4460	0.81	
20 / ¾"	UFC0	28	30	200	4.1	59	6.2	89	0.48	
	UFC1	30.2	70		90.8	1317	136	1973	0.86	
	UFC2	32.3			150	2176	230	3264	1.20	
25 / 1"	UFC0	35.0	44	200	4.1	59	6.2	89	0.64	
	UFC1	37.2	90		79.4	1152	119	1727	1.10	
	UFC2	39.3			120	1740	180	2611	1.60	
32 / 1 ¼"	UFC0	46.5	55	250	3.2	46	4.8	70	0.90	
	UFC1	48.6	108		59.0	856	89	1284	1.60	
	UFC2	50.7			89.0	1291	134	1936	2.20	
40 / 1 ½"	UFC0	54.5	70	250	2.4	35	3.6	52	1.20	
	UFC1	56.7	127		46.0	667	69	1001	1.90	
	UFC2	58.8			71.0	1030	107	1545	2.70	
50 / 2"	UFC0	65.7	90	350	1.0	15	1.5	22	1.30	
	UFC1	68.4	175		40.2	583	60.3	875	2.30	
	UFC2	70.9			50.0	725	75	1088	3.30	
65 / 2 ½"	UFC0	85.5	110	410	1.0	15	1.5	22	2.00	
	UFC1	88.2	200		33.5	486	50.3	729	3.30	
	UFC2	90.7			50.0	725	75	1088	4.60	
80 / 3"	UFC0	97.7	130	450	1.0	15	1.5	22	2.50	
	UFC1	100	200		28.1	408	42.2	611	4.00	
	UFC2	103			50.0	725	75	1088	5.50	
100 / 4"	UFC0	127	200	560	0.69	10	1.0	15	3.00	
	UFC1	129	230		21.5	312	32.3	468	4.90	
	UFC2	132			34.0	493	51	740	6.80	
125 / 5"	UFC0	151	279	711	0.19	3	0.3	4	4.77	
	UFC1	153	279		24.1	350	36.2	524	6.67	
	UFC2	156			26.6	385	39.8	578	8.57	
150 / 6"	UFC0	178	419	838	0.24	4	0.4	5	8.31	
	UFC1	180	419		16.5	240	24.8	359	9.81	
	UFC2	183			29.7	430	44.4	644	11.30	
200 / 8"	UFC0	230	546	1092	0.19	3	0.3	4	10.98	
	UFC1	232	546		18.9	275	28.4	413	16.26	
	UFC2	234			24.1	350	36.21	525	21.53	
250 / 10"	UFC0	284	686	1372	0.15	2	0.2	3	12.35	
	UFC1	289	686		17.24	250	25.9	375	18.86	
	UFC2	294			25.9	375	38.7	563	25.37	
300 / 12"	UFC0	337	813	1626	0.12	2	0.2	3	14.81	
	UFC1	343	813		12.4	180	18.6	270	24.56	
	UFC2	349			22.1	320	33.1	480	34.30	

# Super High Pressure Hose



- **402X** Hose manufactured in Heavy weight 316L stainless steel in Annular construction (2 Braids)
- **403XM** Hose manufactured in Ultra Heavy weight 321 stainless steel in Annular construction (3 Braids)
- **403XM-I** Hose manufactured in Ultra Heavy weight Inconel 625 in Annular construction (3 Braids)
- **404XM** Hose manufactured in Ultra Heavy weight 321 stainless steel in Annular construction (4 Braids)
- Multiple Braid layers manufactured in 300 Series stainless steel

Nominal Bore	Hose Type	Hose O/D	Min Bend Radius		Maximum Pressure				Weight
			Static	Dynamic	Working		Test		
mm / in		mm	mm	mm	Bar	PSI	Bar	PSI	Kg / m
6 / 3/4"	402X	16.0	51	210	365	5,300	548	7,950	0.58
10 / 3/8"	402X	20.6	64	230	269	3,900	404	5,850	0.79
12 / 1/2"	402X	26.7	77	267	248	3,600	372	5,400	1.12
20 / 3/4"	402X	36.3	102	325	245	3,550	368	5,325	2.43
25 / 1"	402X	44.5	134	381	193	2,800	290	4,200	3.08
32 / 1 3/4"	402X	52.8	166	440	171	2,480	257	3,720	4.27
40 / 1 1/2"	402X	61.2	205	496	152	2,200	228	3,300	5.39
50 / 2"	402X	77.5	295	610	115	1,675	173	2,512	6.90

402X

Nominal Bore	Hose Type	Hose O/D	Min Bend Radius		Maximum Pressure				Weight
			Static	Dynamic	Working		Test		
mm / in		mm	mm	mm	Bar	PSI	Bar	PSI	Kg / m
80 / 3"	403XM	100.0	635	2185	83	1,200	124	1,800	8.15

403XM

Nominal Bore	Hose Type	Hose O/D	Min Bend Radius		Maximum Pressure				Weight
			Static	Dynamic	Working		Test		
mm / in		mm	mm	mm	Bar	PSI	Bar	PSI	Kg / m
80 / 3"	403XM-I	101.4	635	2185	124	1,800	186	2,700	10.25

403XM-I

Nominal Bore	Hose Type	Hose O/D	Min Bend Radius		Maximum Pressure				Weight
			Static	Dynamic	Working		Test		
mm / in		mm	mm	mm	Bar	PSI	Bar	PSI	Kg / m
100 / 4"	404XM	132.0	839	2896	83	1,200	124	1,800	13.69

404XM

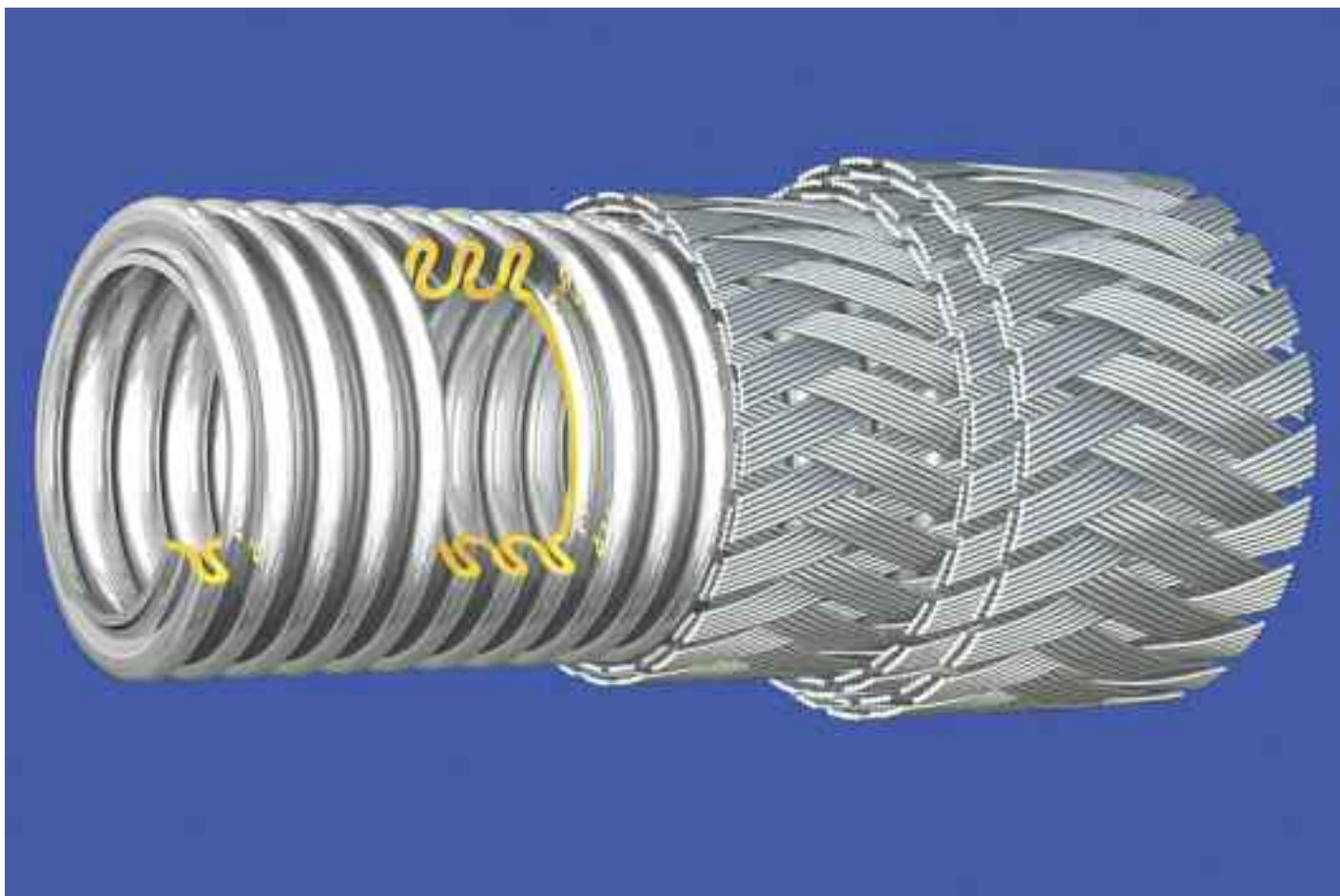


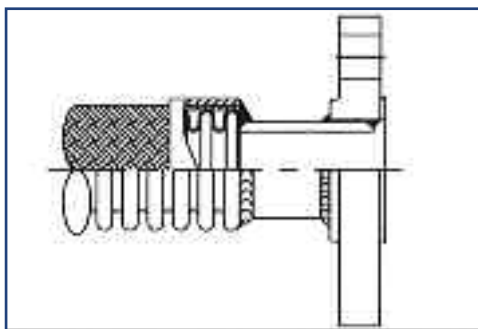
# Ultra High Pressure Hose



- **RF67-XFC** Hose manufactured in Ultra Heavy 321 stainless steel in Helical construction
- Multiple Braid layers manufactured in 300 Series stainless steel

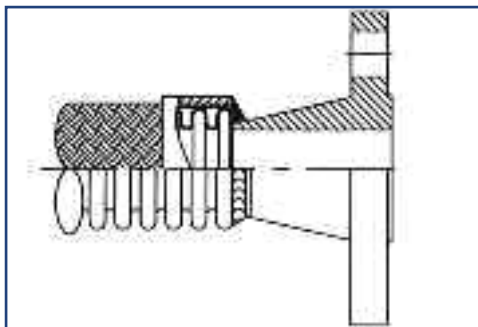
RF67-XFC	Nominal Bore	Hose Type	Hose O/D	Min Bend Radius		Maximum Pressure				Weight
				Static	Dynamic	Working		Test		
	mm / in	mm	mm	mm	mm	Bar	PSI	Bar	PSI	Kg / m
	6 / ¼"	RF67-XFC	17.3	64	292	827	12,000	1240	18,000	0.92
	10 / ⅜"	RF67-XFC	22.9	95	381	620	9,000	930	13,500	1.45
	12 / ½"	RF67-XFC	26.4	115	420	586	8,500	879	12,750	2.00
	20 / ¾"	RF67-XFC	38.6	165	775	469	6,800	704	10,200	3.81
	25 / 1"	RF67-XFC	49.0	230	890	431	6,250	646	9,375	5.50
	32 / 1 ¼"	RF67-XFC	54.6	254	965	379	5,500	568	8,250	7.57
	40 / 1 ½"	RF67-XFC	64.5	305	1042	359	5,200	538	7,800	9.88
	50 / 2"	RF67-XFC	77.2	380	1220	300	4,350	450	6,525	12.02
	80 / 3"	RF67-XFC	88.9	635	1650	207	3,000	311	4,500	22.07





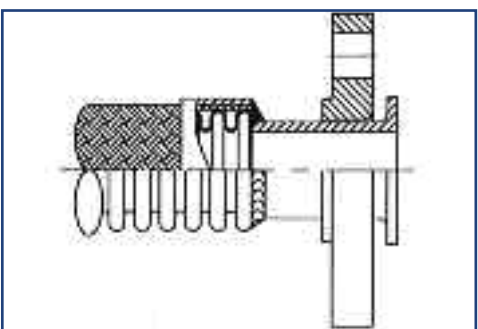
## Raised Face Slip-On Flange on Pipe End

Size Availability: 1/2" diameter to 12" diameter  
 Material Availability: Carbon Steel, T304 Stainless Steel, T304L Stainless Steel, T321 Stainless Steel, T316 Stainless Steel, T316L Stainless Steel, Monel 400, Hastalloy, Inconel  
 Schedule Availability: 5, 10, 40, 80, 160, XX  
 ANSI Class Ratings: 150, 300, 600, 900, 1500, 2500  
 RTJ flanges also available - consult factory for details.  
 Note: Not all sizes and schedules are available in combination - consult factory for details.



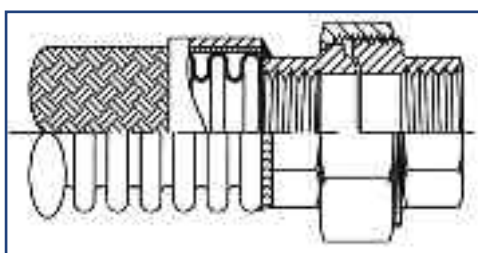
## Welded Raised Face Weldneck Flange

Size Availability: 1/2" diameter to 12" diameter  
 Material Availability: Carbon Steel, T304 Stainless Steel, T304L Stainless Steel, T321 Stainless Steel, T316 Stainless Steel, T316L Stainless Steel, Monel 400, Hastalloy, Incoloy, Inconel  
 Schedule Availability: 5, 10, 40, 80, 160, XX  
 ANSI Class Ratings: 150, 300, 600, 900, 1500, 2500  
 RTJ flanges also available - consult factory for details.  
 Note: Not all sizes and schedules are available in combination - consult factory for details.



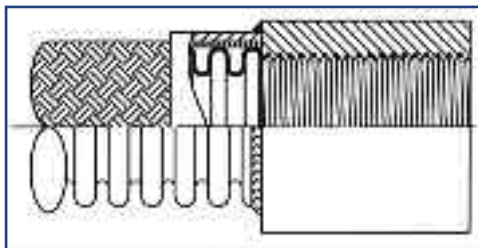
## Lap Joint Floating Flange with Type "A" MSS stub end

Size Availability: 1/2" diameter to 12" diameter  
 Material Availability: Carbon Steel, T304 Stainless Steel, T304L Stainless Steel, T321 Stainless Steel, T316 Stainless Steel, T316L Stainless Steel, Monel 400, Hastalloy, Incoloy, Inconel  
 Schedule Availability: 5, 10, 40, 80, 160, XX  
 ANSI Class Ratings: 150, 300, 600, 900, 1500, 2500  
 Note: Not all sizes and schedules are available in combination. Type "C" stub ends are also available - consult factory for details.



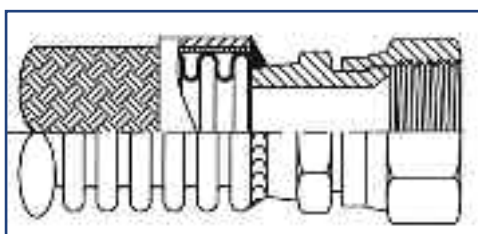
## Welded Female Union

Size Availability: 1/2" diameter to 4" diameter  
 Material Availability: Carbon Steel, T304 Stainless Steel, T304L Stainless Steel, T316 Stainless Steel, T316L Stainless Steel  
 Pressure: 150, 300, 3000, 6000 pound



## Welded Female BSP Half Pipe Coupling

Size Availability: 1/2" diameter to 4" diameter  
 Material Availability: Carbon Steel, T304 Stainless Steel, T304L Stainless Steel, T321 Stainless Steel, T316 Stainless Steel, T316L Stainless Steel, Monel 400, Hastalloy, Incoloy, Inconel  
 Pressure: 150, 300, 3000, 6000 pounds  
 Note: Not all sizes and Pressures are available in combination. Female NPT Full Pipe Coupling is also available - consult factory for details.



## Welded JIC Swivel Female

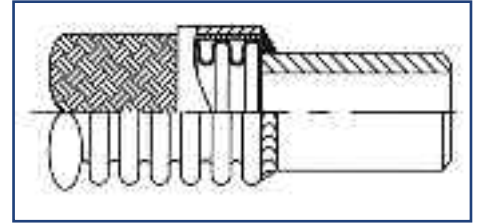
Size Availability: 1/4" diameter to 2" diameter  
 Material Availability: Carbon Steel, T316 Stainless Steel.





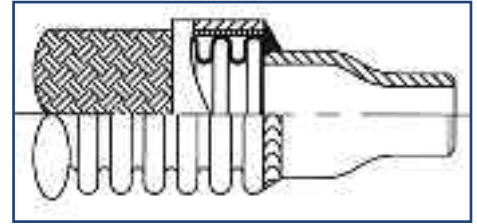
## Welded Pipe End with 37-1/2 degree bevel

**Size Availability:** 1/8" diameter to 12" diameter  
**Material Availability:** Carbon Steel, T304 Stainless Steel, T304L Stainless Steel, T321 Stainless Steel, T316 Stainless Steel, T316L Stainless Steel  
**Schedule Availability:** 5, 10, 40, 80, 160, XX  
**Note:** Not all sizes and schedules are available in combination - consult factory for details.



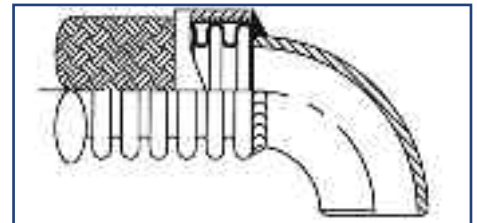
## Welded Concentric Reducer

**Size Availability:** 1/2" diameter to 12" diameter and combinations thereof  
**Material Availability:** Carbon Steel, T304 Stainless Steel, T304L Stainless Steel, T321 Stainless Steel, T316 Stainless Steel, T316L Stainless Steel, Monel 400, Hastalloy, Incoloy, Inconel  
**Schedule Availability:** 5, 10, 40, 80, 160, XX  
**Note:** Not all sizes and schedules are available in combination - consult factory for details.



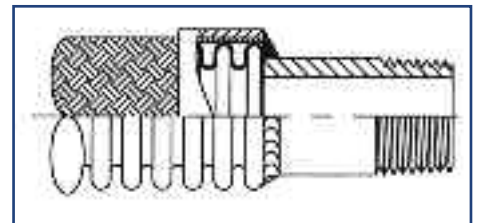
## Welded Long Radius 90 Degree Elbow

**Size Availability:** 1/2" diameter to 12" diameter  
**Material Availability:** Carbon Steel, T304 Stainless Steel, T304L Stainless Steel, T321 Stainless Steel, T316 Stainless Steel, T316L Stainless Steel, Monel 400, Hastalloy, Incoloy, Inconel  
**Schedule Availability:** 5, 10, 40, 80, 160, XX  
**Note:** Not all sizes and schedules are available in combination. Short radius, 45's and other angles are available - consult factory for details.



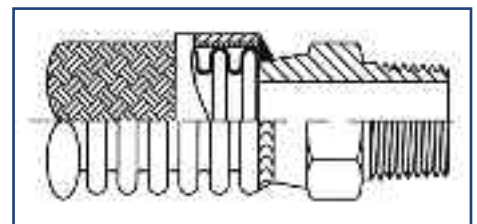
## Welded BSPT Male Nipple

**Size Availability:** 1/8" diameter to 8" diameter  
**Material Availability:** Carbon Steel, T304 Stainless Steel, T304L Stainless Steel, T321 Stainless Steel, T316 Stainless Steel, T316L Stainless Steel  
**Schedule Availability:** 5, 10, 40, 80, 160, XX  
**Note:** Not all sizes and schedules are available in combination.



## BSPT Male Nipple with Integral Hex Nut

**Size Availability:** 1/4" diameter to 2" diameter  
**Material Availability:** Carbon Steel, T304 Stainless Steel, T304L Stainless Steel, T321 Stainless Steel, T316 Stainless Steel, T316L Stainless Steel, Monel 400, Hastalloy, Incoloy, Inconel  
**Schedule Availability:** 5, 10, 40, 80, 160, XX  
**Note:** Not all sizes, schedules and materials are available in combination - consult factory for details.



## BSPT Male with Welded on Hex Nut

**Size Availability:** 1/2" diameter to 4" diameter  
**Material Availability:** Carbon Steel, T304 Stainless Steel, T304L Stainless Steel, T321 Stainless Steel, T316 Stainless Steel, T316L Stainless Steel, Monel 400, Hastalloy, Incoloy, Inconel  
**Manufactured from Hexagon bar stock.**  
**Note:** Not all sizes, schedules and materials are available in combination - consult factory for details.

