

WD12 - Worm Drive Clamps



Convex band edges to prevent damage to the hose



Pre-positioning on the hose with additional accessories

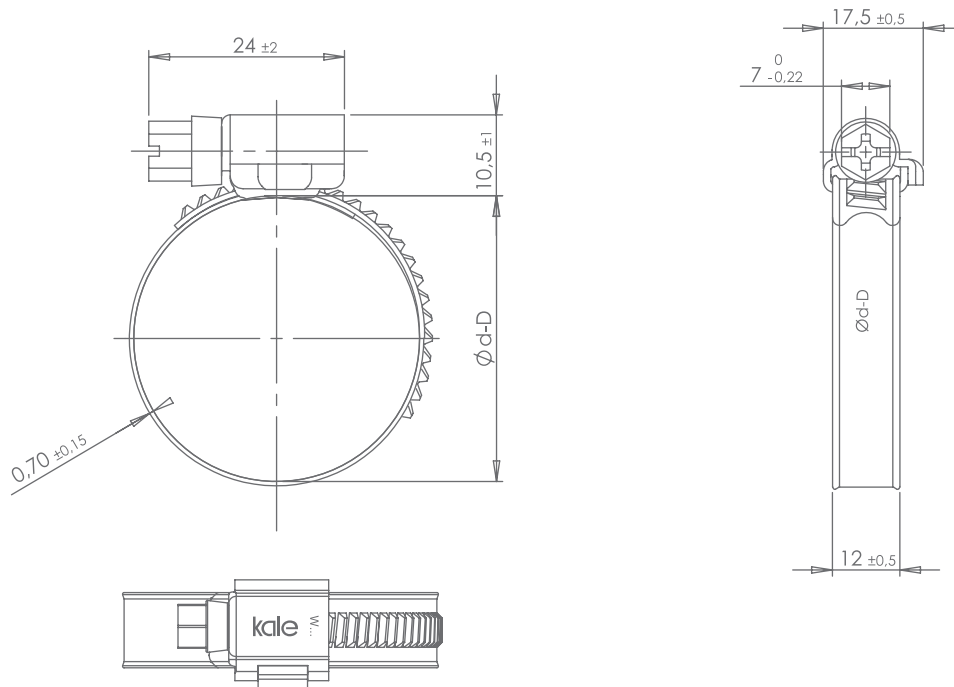


High clamping force with low tightening torque



100% product traceability

Technical Properties



Ø d - D (mm)	W2 - W3 - W4 - W5 (Nm)	
	AD max	PD max
16-25	5,0	6,5
16-27	5,0	6,5
20-32	5,0	6,5
23-35	5,0	6,5
25-40	5,0	6,5
30-45	5,0	6,5
32-50	5,0	6,5
40-60	5,0	6,5
50-70	5,0	6,5
60-80	5,0	6,5
70-90	5,0	6,5
80-100	5,0	6,5
90-110	5,0	6,5
100-120	5,0	6,5
110-130	5,0	6,5
120-140	5,0	6,5
130-150	5,0	6,5
140-160	5,0	6,5
...
380-400	5,0	6,5

Screw Head	Philips Type	Slotted
W2	●	
W3		●
W4		●
W5		●

Material Code	Housing	Screw	Band
W2	1.4016 DIN EN-10088-2 or equivalent	Mild steel	1.4016 DIN EN-10088-2 or equivalent
W3	1.4016 DIN EN-10088-2 or equivalent	1.4016 DIN EN-10088-3 or equivalent	1.4016 DIN EN-10088-2 or equivalent
W4	1.4301 DIN EN-10088-2 or equivalent	1.4301 DIN EN-10088-3 or equivalent	1.4301 DIN EN-10088-2 or equivalent
W5	1.4401 DIN EN-10088-2 or equivalent	1.4401 DIN EN-10088-3 or equivalent	1.4401 DIN EN-10088-2 or equivalent

AD: Recommended tightening torque
 PD: Testing torque